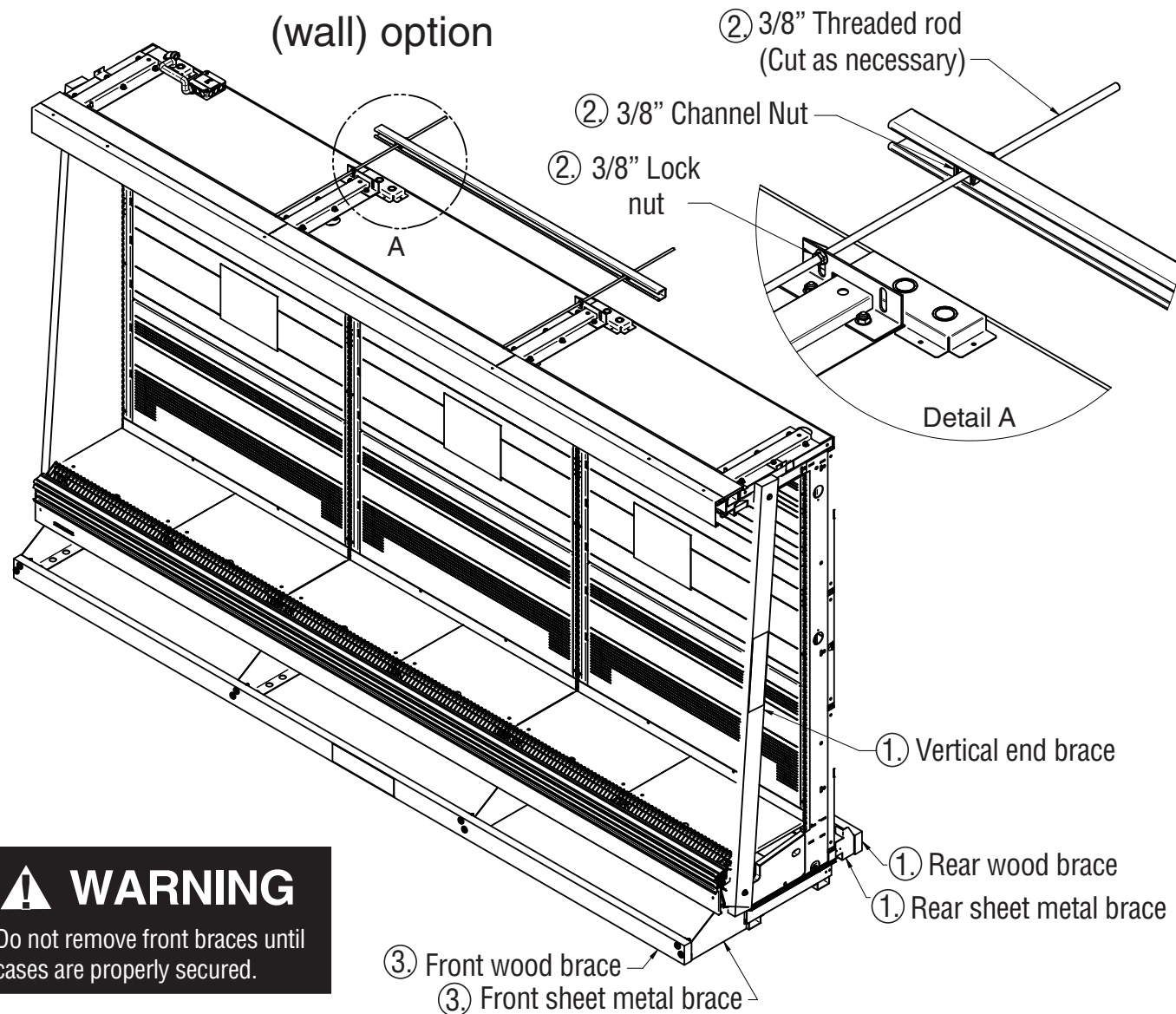




RESTRAINT KIT INSTALLATION

⚠ WARNING
 The SD6 display cases with doors must be securely anchored to the floor, wall, or back-to-back case during the installation in accordance with the installation manual. Failure to follow such instructions may result in serious injury or death.

Case-to-store structure (wall) option

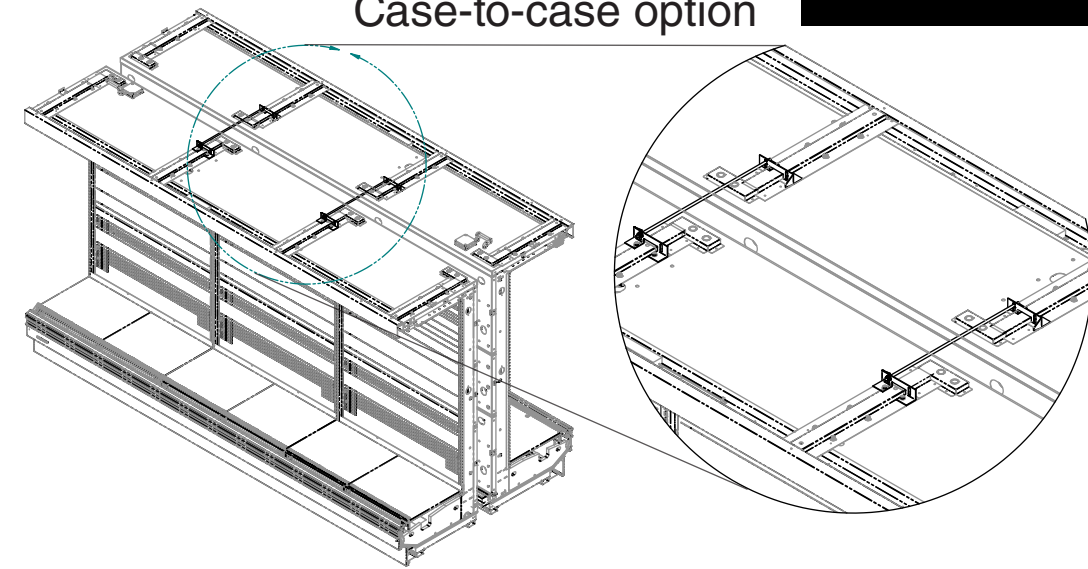


⚠ WARNING
 Do not remove front braces until cases are properly secured.

- ① Remove rear wood brace, rear sheet metal brace and vertical end brace.
- ② Secure case to existing store structure using case mounting kit.
- ③ After case is secured, remove front wood brace and front sheet metal brace.



Case-to-case option



Floor option

